

TITLE: INTELL-LIFT PRO-RST DUMBWATER
 20X30X36
 SWING FRONT BACK PLAN VIEW

REV	DESCRIPTION	DATE	BY

STOPS: 2 IN-LINE OPP.
 OPENINGS: 2 @ LOWER, UPPER.
 TRAVEL: I.B.O.

<input checked="" type="checkbox"/> SAME SIDE	<input checked="" type="checkbox"/> DR/WALL CONSTRUCTION
<input type="checkbox"/> HOISTWAY	<input type="checkbox"/> MASONRY CONSTRUCTION
<input type="checkbox"/> FLOOR LOADING	<input type="checkbox"/> PLAIN STEEL - PRIMED
<input type="checkbox"/> DOORS	<input checked="" type="checkbox"/> COUNTER LOADING
	<input type="checkbox"/> STAINLESS STEEL - #4

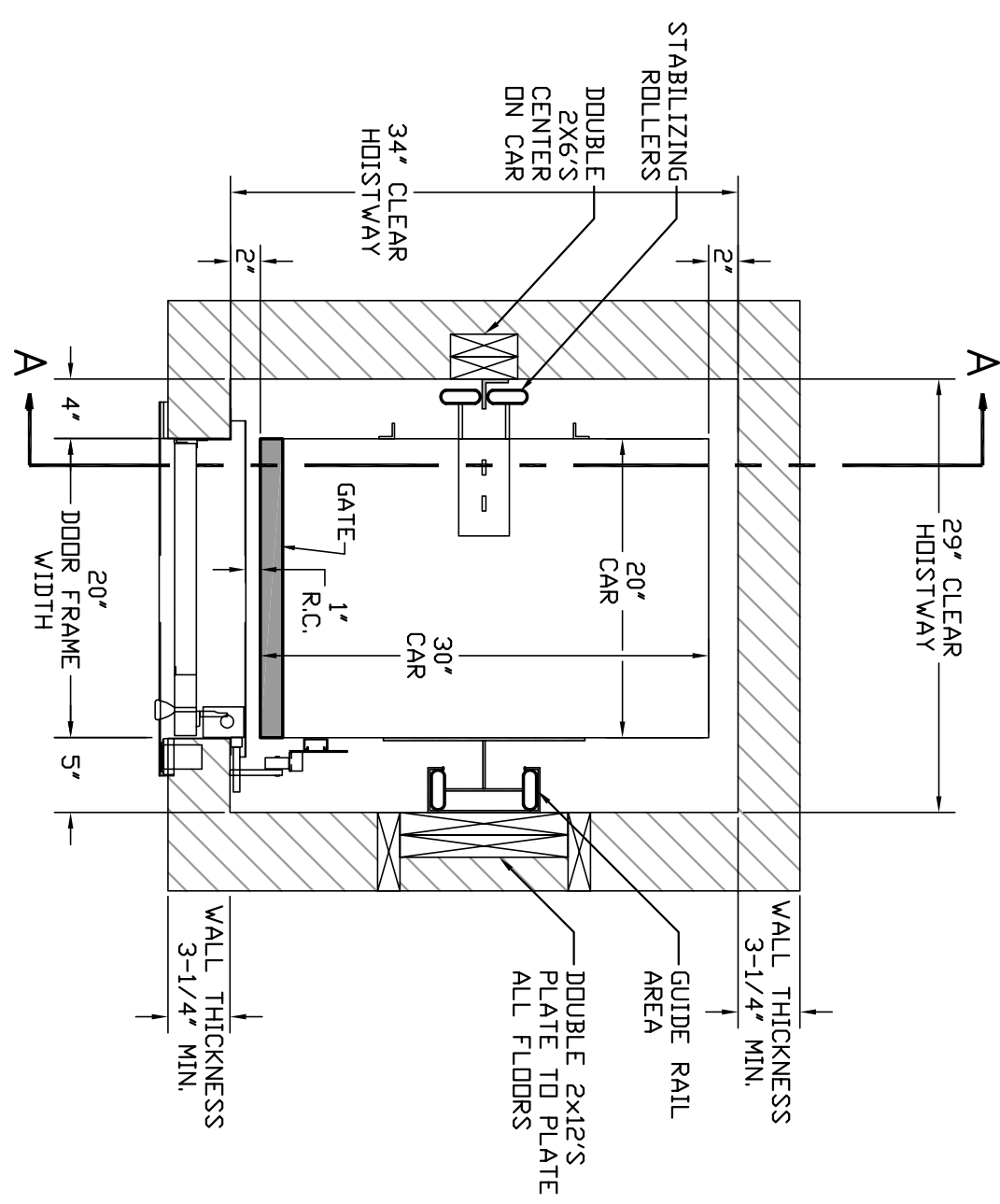
<input checked="" type="checkbox"/> EMERGENCY RELEASE

<input checked="" type="checkbox"/> HG-1 SINGLE CONTACT DOOR LOCK & CONTACT NEMA 1
<input type="checkbox"/> HG-2 DOUBLE CONTACT INTERLOCK NEMA 1

WALL MOUNTED 24V PUSHBUTTON STATIONS:	
<input checked="" type="checkbox"/> NON-ILLUMINATED	<input type="checkbox"/> ILLUMINATED
BUTTONS: <input checked="" type="checkbox"/> 1 <input type="checkbox"/> 2 <input type="checkbox"/> 3 <input type="checkbox"/> 4 <input type="checkbox"/> 5	

CAR GATE	<input checked="" type="checkbox"/> BIRCH WOOD	<input checked="" type="checkbox"/> ALUMINUM
ACCESS DOOR	<input checked="" type="checkbox"/> SLIDE-UP	<input type="checkbox"/> BY: E11
	<input type="checkbox"/> PLAIN STEEL	<input type="checkbox"/> STAINLESS STEEL - #4
	<input type="checkbox"/> WOOD	<input type="checkbox"/> BY OTHERS

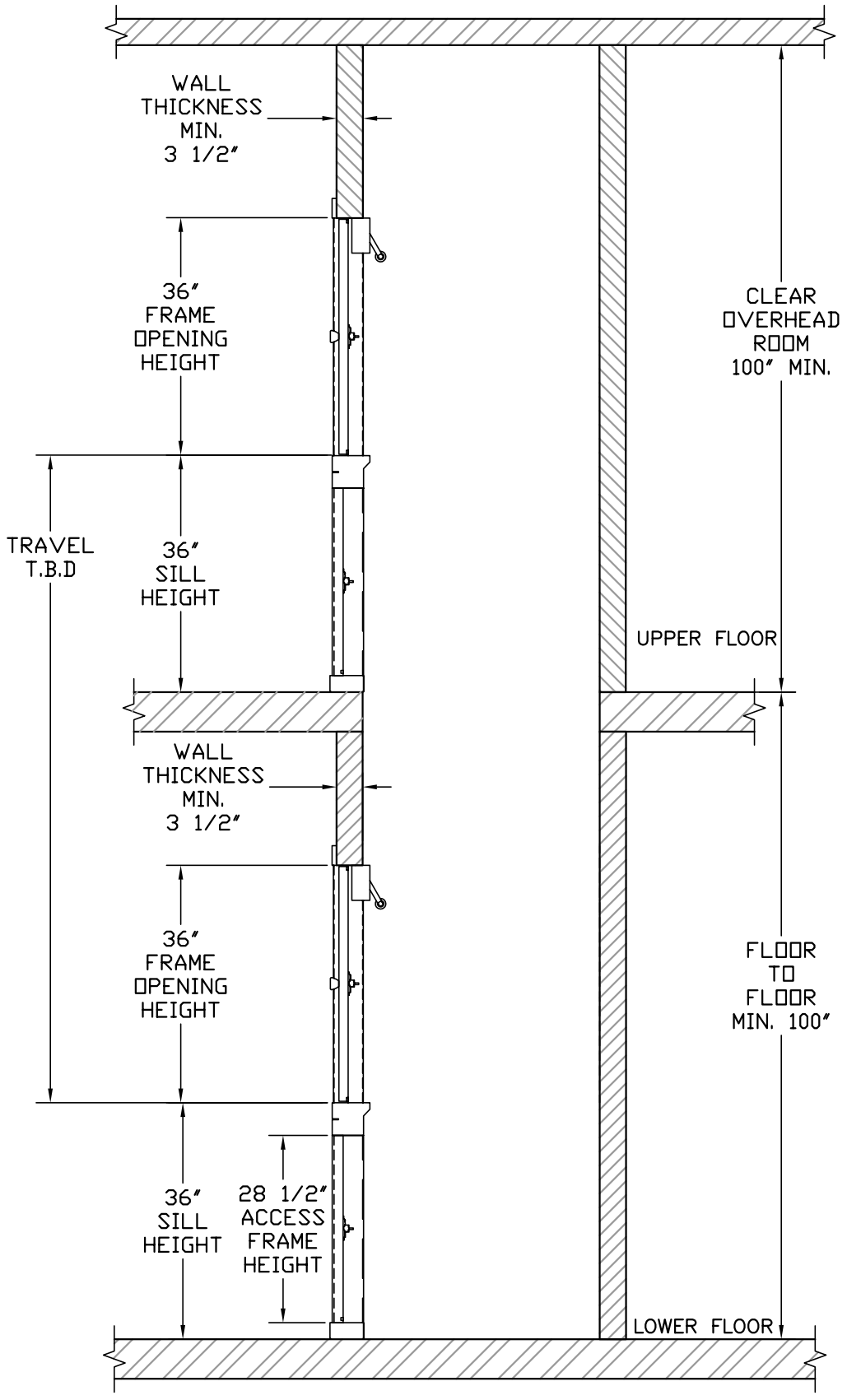
DUMBWATER CAN BE INSTALLED THRU ROUGH OPENING HOWEVER INSTALLATION IS EASIER IF THE BOTTOM FLOOR DOOR WALL IS LEFT OFF UNTIL UNIT IS INSTALLED.



HOISTWAY: THE HOISTWAY MUST BE IN ACCORDANCE WITH "SAFETY CODE FOR ELEVATORS AND ESCALATORS" (ASME A17.1) AND ALL STATE AND LOCAL CODES.
 REINFORCED WALL: THE RAIL WALL MUST BE REINFORCED WITH DOUBLE 2X12 PLANKS AS SHOWN ON THE DRAWINGS. THE MACHINE AND RAIL SYSTEM REQUIRES THESE 2X12 PLANKS FOR SUPPORT.
 MACHINE ROOM: MACHINE ROOM MAY BE LOCATED WITHIN THE HOISTWAY ON THE BOTTOM FLOOR OR IN A CLOSET ADJACENT TO THE HOISTWAY (BEHIND THE RAIL WALL). THE MACHINE ROOM MUST HAVE A LOCKABLE ACCESS DOOR. THIS DOOR MUST REMAINED LOCKED AT ALL TIMES.

CUSTOMER: _____ SHIP TO: _____ APPROVED BY: _____ OPENING: _____ SAME SIDE _____ DWG NO. _____

JOB NAME: _____ DATE APPROVED: _____ SHEET 1 OF 2 DATE: 10/26/09



CUSTOMER:

SHIP TO:

APPROVED BY:

TITLE: DUMBWATER SECTION ELEVATION "A-A"

JOB NAME:

DATE APPROVED:

OPENING: SAME SIDE
 SHEET 2 OF 2
 DWG NO. RST FB2

DATE: 10/21/09

