

TITLE: INTELL-LIFT PRO-RST DUMBWATER
 20X30X36
 SWING FRONT BACK PLAN VIEW

REV	DESCRIPTION	DATE	BY

STOPS: 2 IN-LINE OPP.
 OPENINGS: 2 @ LOWER, UPPER.
 TRAVEL: I.B.O.

<input checked="" type="checkbox"/> SWING	<input checked="" type="checkbox"/> DR/WALL CONSTRUCTION
<input type="checkbox"/> FLOOR LOADING	<input type="checkbox"/> MASONRY CONSTRUCTION
<input checked="" type="checkbox"/> HOISTWAY DOORS	<input checked="" type="checkbox"/> PLAIN STEEL - PRIMED
<input type="checkbox"/> COUNTER LOADING	<input type="checkbox"/> STAINLESS STEEL - #4

<input checked="" type="checkbox"/> EMERGENCY RELEASE

<input checked="" type="checkbox"/> HG-1 SINGLE CONTACT DOOR LOCK & CONTACT NEMA 1
<input type="checkbox"/> HG-2 DOUBLE CONTACT INTERLOCK NEMA 1

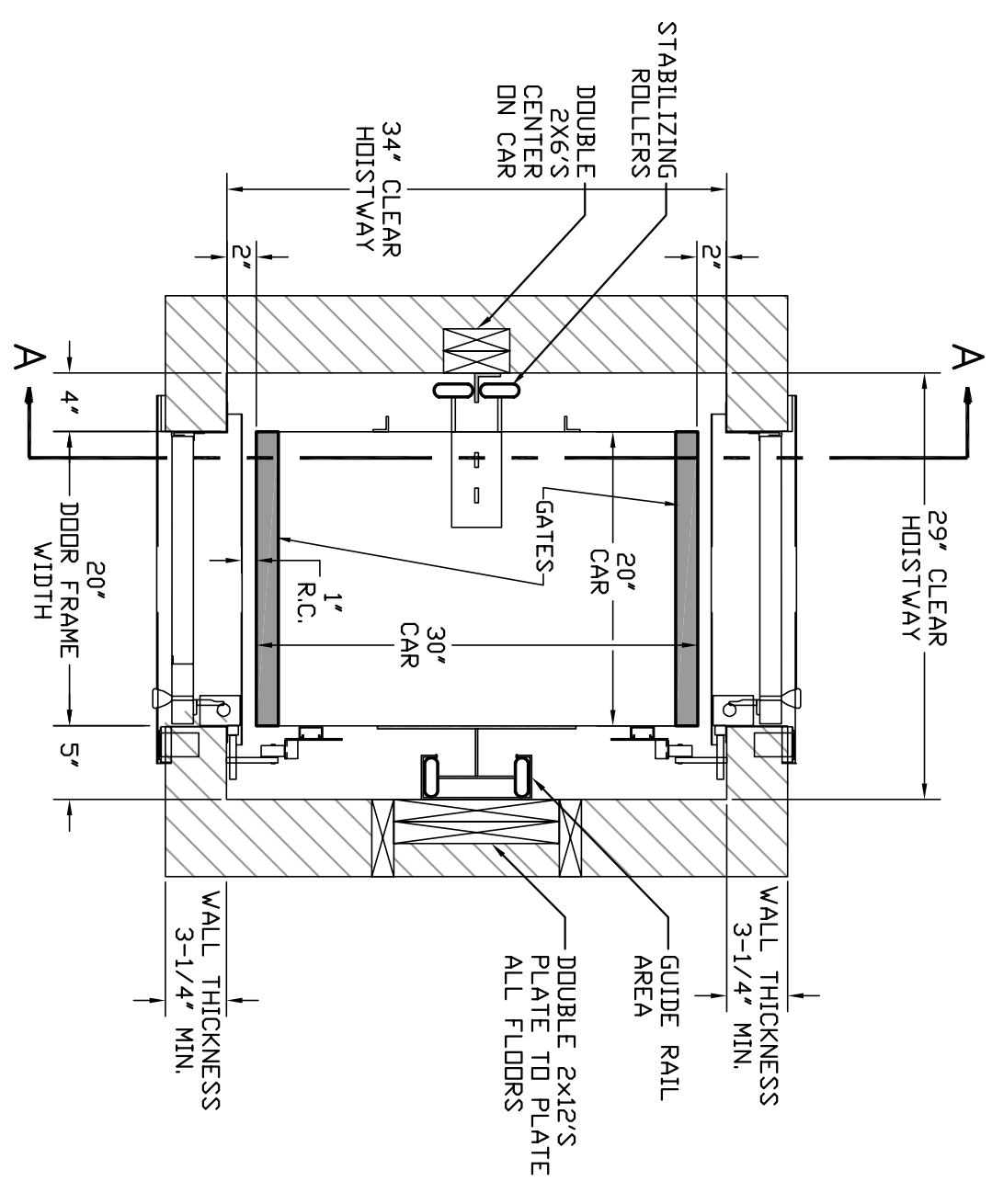
WALL MOUNTED 24V PUSHBUTTON STATIONS:	
<input checked="" type="checkbox"/> NON-ILLUMINATED	<input type="checkbox"/> ILLUMINATED
BUTTONS: <input checked="" type="checkbox"/> 1 <input type="checkbox"/> 2 <input type="checkbox"/> 3 <input type="checkbox"/> 4 <input type="checkbox"/> 5	3

CAR GATE	<input checked="" type="checkbox"/> BIRCH WOOD	<input checked="" type="checkbox"/> ALUMINUM
ACCESS DOOR	<input checked="" type="checkbox"/> SLIDE-UP	<input checked="" type="checkbox"/> BY: E11
	<input type="checkbox"/> PLAIN STEEL	<input type="checkbox"/> STAINLESS STEEL - #4
	<input type="checkbox"/> WOOD	<input type="checkbox"/> BY OTHERS

DUMBWATER CAN BE INSTALLED THRU ROUGH OPENING HOWEVER INSTALLATION IS EASIER IF THE BOTTOM FLOOR DOOR WALL IS LEFT OFF UNTIL UNIT IS INSTALLED.

POWER SUPPLY: A LOCKABLE FUSED DISCONNECT MUST BE PROVIDED IN ACCORDANCE WITH LOCAL ELECTRICAL CODES. THE SUPPLY MUST BE A 115V, 20A DEDICATED CIRCUIT.

DOORS: DOORS MUST MEET LOCAL FIRE CODE. INTERLOCK DEVICES ARE BUILT INTO DOOR



HOISTWAY: THE HOISTWAY MUST BE IN ACCORDANCE WITH "SAFETY CODE FOR ELEVATORS AND ESCALATORS" (ASME A17.1) AND ALL STATE AND LOCAL CODES.

PLUMB HOISTWAY: DUE TO CLOSE RUNNING CLEARANCES OWNER/AGENT MUST ENSURE THAT HOISTWAY IS PLUMB, AND SQUARE AND IS IN ACCORDANCE WITH DIMENSIONS ON THESE DRAWINGS.

REINFORCED WALL: THE RAIL WALL MUST BE REINFORCED WITH DOUBLE 2X12 PLANKS AS SHOWN ON THE DRAWINGS. THE MACHINE AND RAIL SYSTEM REQUIRES THESE 2X12 PLANKS FOR SUPPORT.

MACHINE ROOM: MACHINE ROOM MAY BE LOCATED WITHIN THE HOISTWAY ON THE BOTTOM FLOOR OR IN A CLOSET ADJACENT TO THE HOISTWAY (BEHIND THE RAIL WALL). THE MACHINE ROOM MUST HAVE A LOCKABLE ACCESS DOOR. THIS DOOR MUST REMAINED LOCKED AT ALL TIMES.

CUSTOMER: _____

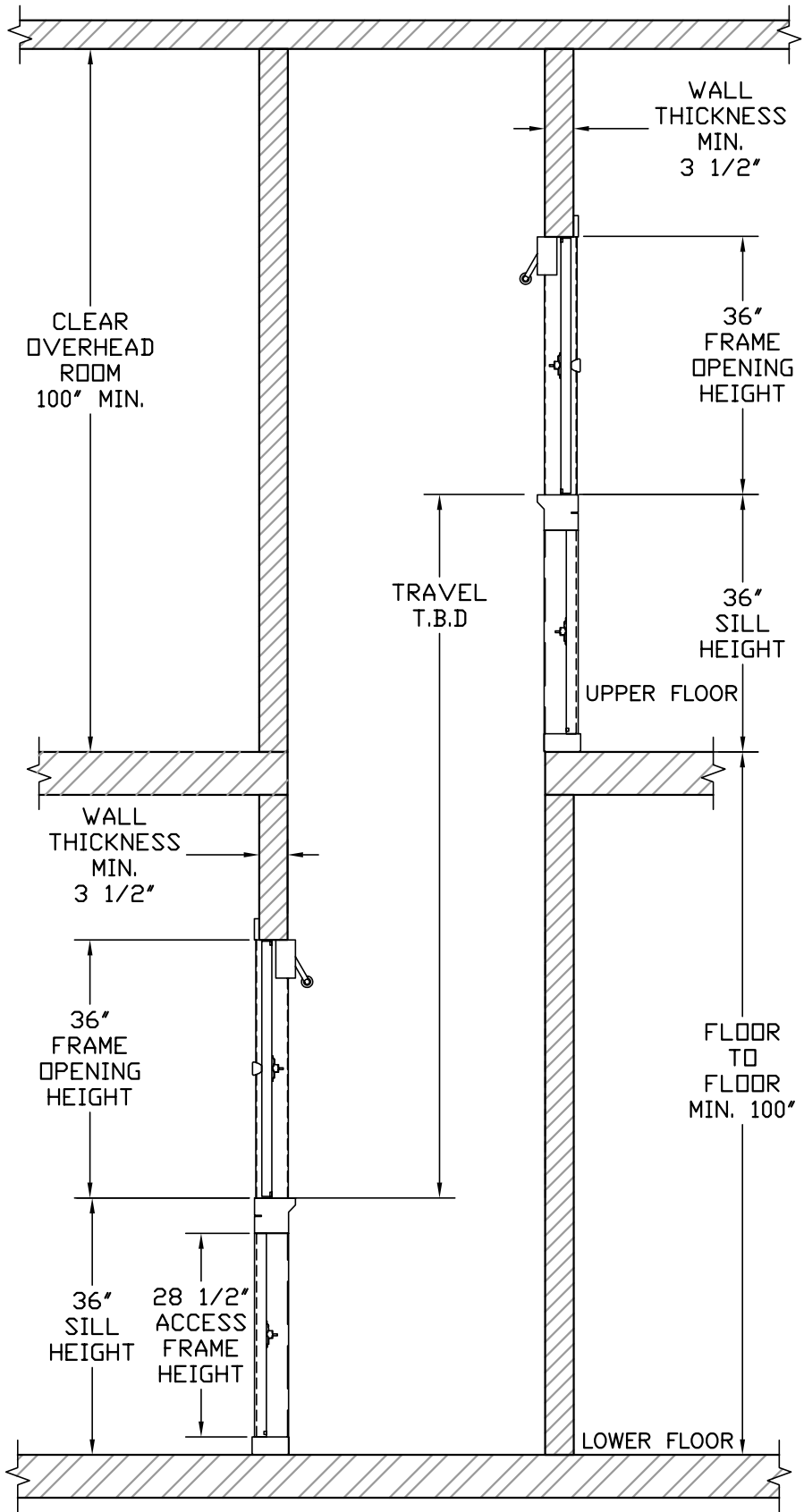
SHIP TO: _____

APPROVED BY: _____

OPENING: BI-PARTING

DWG NO. -----

JOB NAME:	DATE APPROVED:	SHEET	1 OF 2	DATE:	10/26/09
-----------	----------------	-------	--------	-------	----------



CUSTOMER:

SHIP TO:

APPROVED BY:

JOB NAME:

DATE APPROVED:

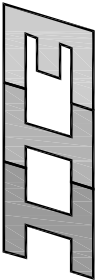
TITLE: DUMBWATER SECTION ELEVATION "A-A"

OPENING: SWING

SHEET 2 OF 2

DWG NO. RST FB2

DATE: 10/21/09



Elevation Innovation Inc.